

NAUTINA



WASH BASIN

PRODUCT ID
(RB.NAT.01G101.01.18)

Fine fire clay Wash Basin with an overflow hole, in large size format of 1040mm.

FEATURES

- Fine fire clay wash basin with overflow hole
- Contemporary design
- Single tap hole in centre
- Fulfills high design and quality expectations

INCLUDED COMPONENTS

- Wash basin fixing kit
- Overflow hole cover
- Faucets not included

WARRANTY

- 25 year written warranty against crazing and dunting

TECHNICAL INFORMATION

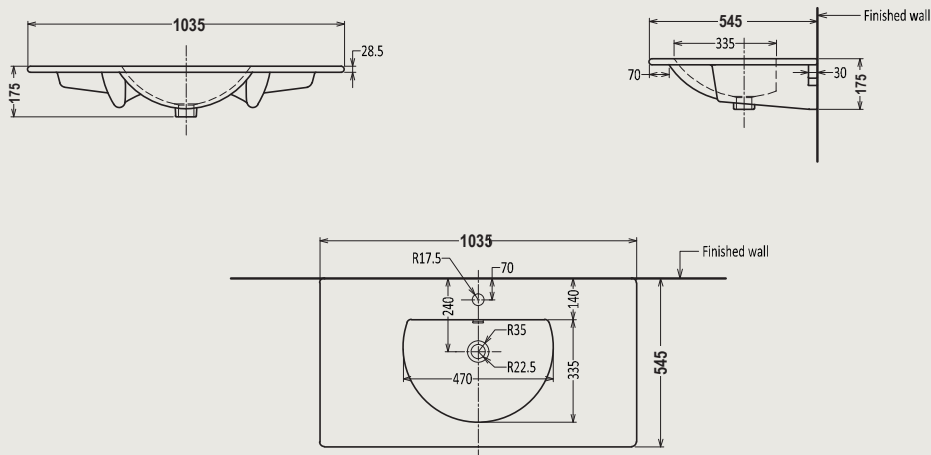
** Approximate measurements for comparison only

CONFIGURATION	WALL HUNG WASH BASIN
Weight	27.5 kg
Basin Area	475 x 335 x 125 mm
Height - Floor to Rim	850 mm
Nominal Dimensions	1035 X 545 X 175 mm
Faucet Hole	35 mm
Waste Hole	45 mm
Water Depth	74 mm

NAUTINA WASH BASIN

TECHNICAL DRAWINGS

All drawings contain the necessary measurements, which are subject to standard tolerances. They are stated in mm, are drawn on a scale of 1:20 and are non-binding. Exact measurements, in particular for customized installation scenarios, can only be taken from the finished ceramic piece.



INSTALLATION NOTES

- Install this product according to the installation guide
- Scan for instructions



Royal Ceramics Lanka PLC.

No.20, R.A. De Mel Mawatha, Colombo 03, Sri Lanka.

☎ 076 6 223 344 ✉ info@rcl.lk 🌐 www.rocell.com

FOLLOW US



** Dimensions of fixtures are nominal and may vary within the range of tolerance. These measurements are subject to change or cancellation. No responsibility is assumed for use of superseded or voided leaflet.